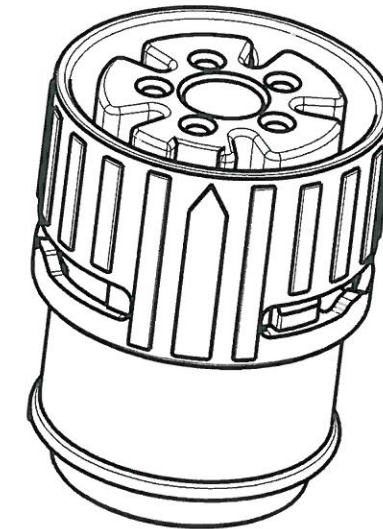
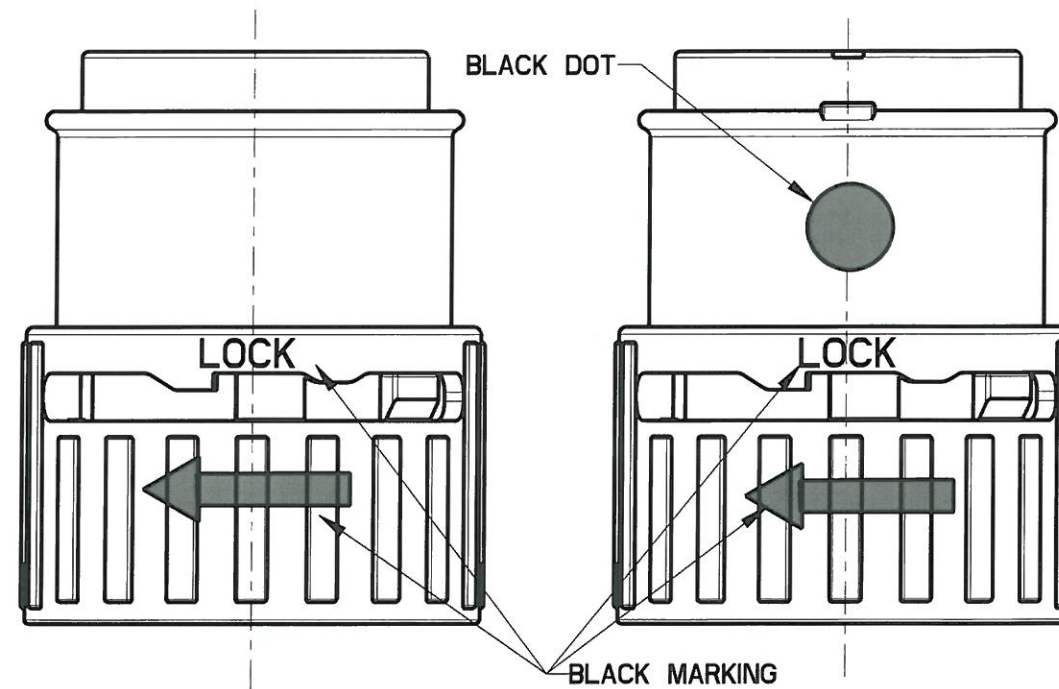
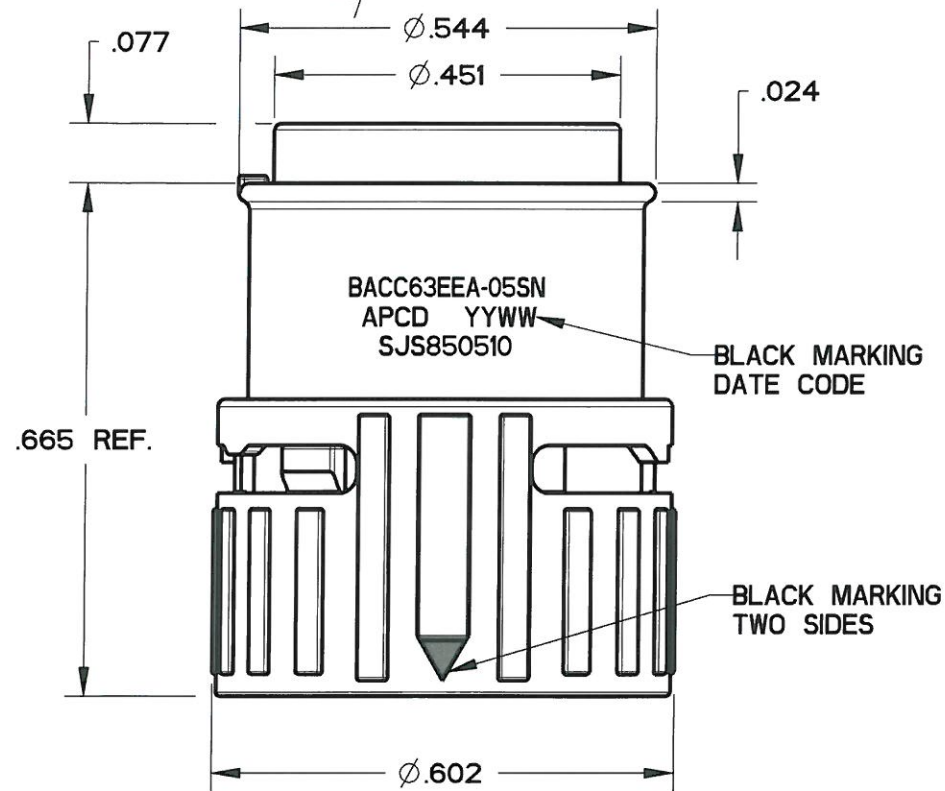
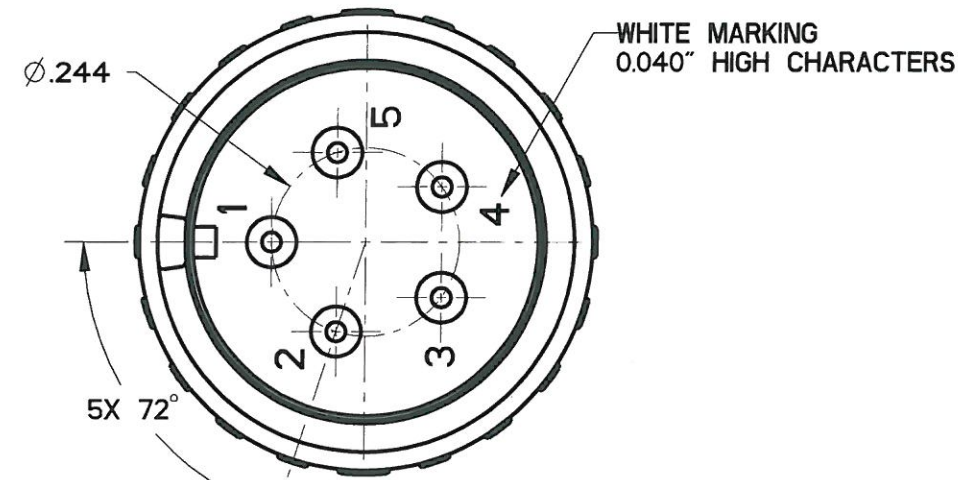


REV	ECN	APP'D
-	6481	JT 2/22/10
A	6487	JT 2/25/10
B	6498	JT 3/08/10
C	6573	JT 8/30/10
D	6655	JT 1/18/11



- NOTES:
- MATERIALS:  
HOUSING: PA6/6,  
COUPLING NUT: PA6/6,  
CONTACT RETAINER: STAINLESS STEEL  
GROMMET: SILICONE RUBBER PER A-A-59588,
  - MATING CONTACTS: SEE TABLE I
  - TEST SPECIFICATION: BACC63EE
  - WHEN ASSEMBLED, "LOCK" AND ARROW MARKINGS MUST ALIGN WITH BLACK DOT
  - PART MATES WITH SJS850500 & SJS850520
  - WEIGHT: 2.6 GRAMS
  - SUPPLIED WITH DUST CAP

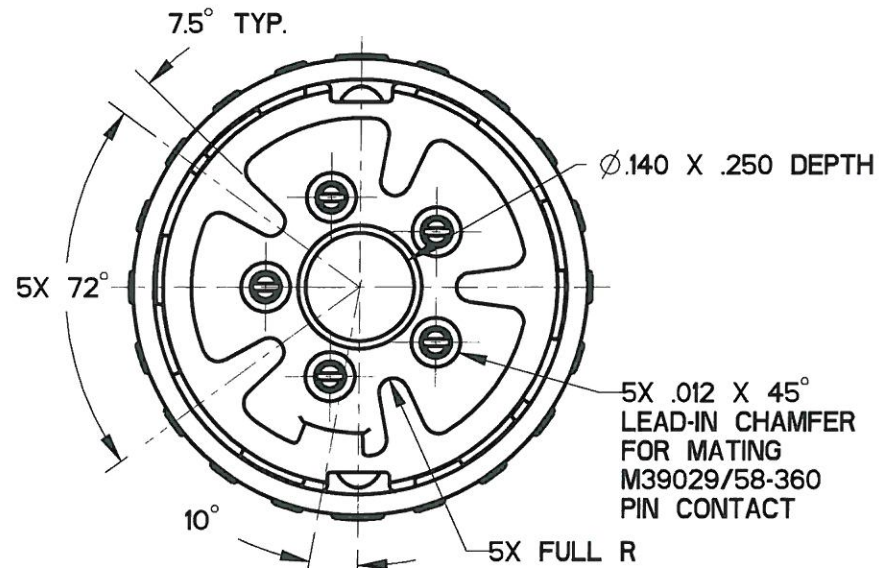


TABLE I

APCD P/N	BOEING P/N	P/N MARKING(S)	CONTACTS SUPPLIED
SJS850510	BACC63EEA-05SNH	BACC63EEA-05SN	NONE
SJS850511	BACC63EEA-05SN	SJS850510	(5) M39029/57-354

<b>DIMENSIONS</b> ANSI Y14.5M UNITS: INCHES Pro/E FILE	<b>TOLERANCES</b> .XX ±0.01 .XXX ±0.005 ANGLES ±1.0°	<b>PROJECTION</b> 	<b>Amphenol Pcd</b> SPECIFICATION DRAWING ENGR Frank.Li 15-Mar-09		<b>TITLE</b> BACC63EEA-05SN 5P SZ22 INLINE WHITE PLUG FOR SJS		
			ORIGINAL 	THIS DOCUMENT CONTAINS PROPRIETARY INFORMATION WHICH IS THE CONFIDENTIAL PROPERTY OF AMPHENOL PCD INC., BEVERLY, MA		CHKD  1/18/11 APPD  1/18/11	SIZE <b>B</b>
			CODE: 58982	SCALE: 4:1	SHEET 1 OF 1		

SJS850510

SJS850510

# Mouser Electronics

Authorized Distributor

Click to View Pricing, Inventory, Delivery & Lifecycle Information:

[Amphenol:](#)

[BACC63EEA-05SN](#) [BACC63EEA-05SNH](#)