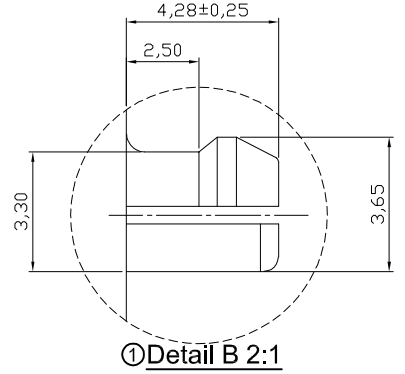
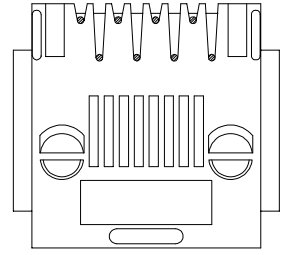
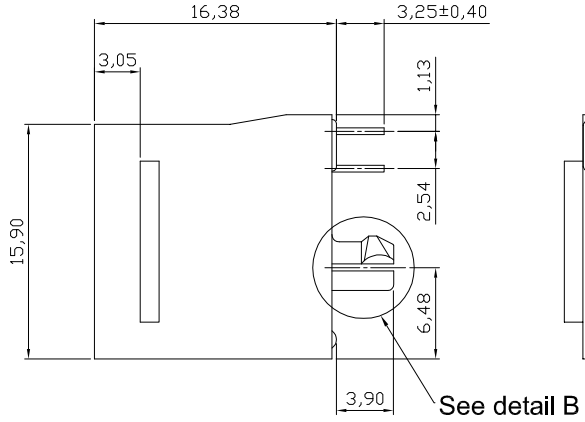
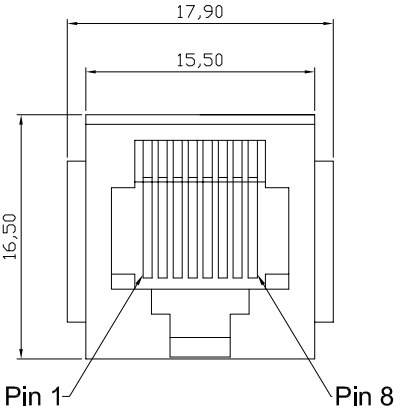


**Specification:**

- Electrical Char**  
 Insulation Resistance: 500MΩ min. 500V DC for 1 minute  
 Contact Resistance: 30mΩ max.  
 Rating Current: 1.5A max.  
 Rating Voltage: 150V AC  
 Dielectric Voltage: 1000 Vrms at 1MA 60 sec. min.
- Physical Char**  
 Housing: PBT Glass filled (UL 94V-0) Color: Black  
 Soldering Temperature: 235°C for 5 sec.  
 Spring Wire: 0.45mm Dia Phosphor Bronze  
 6u" Gold plating over Nickel  
 Temperature Range: -40°C to +85°C  
 Durability: 750 mating cycles min.



**3. Packing: Tray**

**RoHS compliant**  
Unit:mm

Scale	Free					Date	Name	Customer-No.
TOLERANCE					Drawn	28.10.2015	Amy	
.XX	±0.20				Approved	17.07.2018	Amy	
.XXX	±0.13							ASSMANN WSW-No.
.XXXX	±0.05							<b>A-2014-2-4-R</b>
DIM	TOL	①	Correct PCB size and add detail B	17.07.2018	Amy	<b>ASSMANN</b> WSW components		Drawing-No.
		②	Drawn	28.10.2015	Amy			<b>ASS 7043 CO</b>
Angle	+0°30'	Id.	Modification	Date	Name	Replace		SHEET