



Passive Components > Resistors > Probe Pads



Package Size Code: **0603**

Passive Component Dimensions: **1.6 x .8 x 1.15 mm**

Element Type: **Foil**

Features

Product Type Features

Package Size Code	0603
Element Type	Foil

Electrical Characteristics

Resistance Class	Up to 1kΩ
------------------	-----------

Dimensions

Passive Component Dimensions	1.6 x .8 x 1.15 mm
------------------------------	--------------------

Packaging Features

Packaging Method	Taped & Reeled
------------------	----------------

Product Compliance

[For compliance documentation, visit the product page on TE.com>](#)

EU RoHS Directive 2011/65/EU	Compliant
EU ELV Directive 2000/53/EC	Compliant
China RoHS 2 Directive MIIT Order No 32, 2016	No Restricted Materials Above Threshold
EU REACH Regulation (EC) No. 1907/2006	Current ECHA Candidate List: JAN 2023 (233) Candidate List Declared Against: JAN 2023 (233) Does not contain REACH SVHC
Halogen Content	Low Halogen - Br, Cl, F, I < 900 ppm per homogenous material. Also BFR/CFR/PVC Free
Solder Process Capability	Reflow solder capable to 260°C

Product Compliance Disclaimer

This information is provided based on reasonable inquiry of our suppliers and represents our current actual knowledge based on the information they provided. This information is subject to change. The part numbers that TE has identified as EU RoHS compliant have a maximum concentration of 0.1% by weight in homogenous materials for lead, hexavalent chromium, mercury, PBB, PBDE, DBP, BBP, DEHP, DIBP, and 0.01% for cadmium, or qualify for an exemption to these limits as defined in the Annexes of Directive 2011/65/EU (RoHS2). Finished electrical and electronic equipment products will be CE marked as required by Directive 2011/65/EU. Components may not be CE marked. Additionally, the part numbers that TE has identified as EU ELV compliant have a maximum concentration of 0.1% by weight in homogenous materials for lead, hexavalent chromium, and mercury, and 0.01% for cadmium, or qualify for an exemption to these limits as defined in the Annexes of Directive 2000/53/EC (ELV). Regarding the REACH Regulation, the information TE provides on SVHC in articles for this part number is based on the latest European Chemicals Agency (ECHA) 'Guidance on requirements for substances in articles' posted at this URL: <https://echa.europa.eu/guidance-documents/guidance-on-reach>

Compatible Parts



TE Part # 1625854-2
0805 PROBE PAD




TE Part # 1625854-4
1206 PROBE PAD




TE Part # 1625854-1
1206 PROBE PAD


Also in the Series | CGS RC



Board-to-Board Connector Contacts(1)



DC Jack Connectors(1)



Hook Up Wire(8)




Multicore Cable(1)



Probe Pads(4)

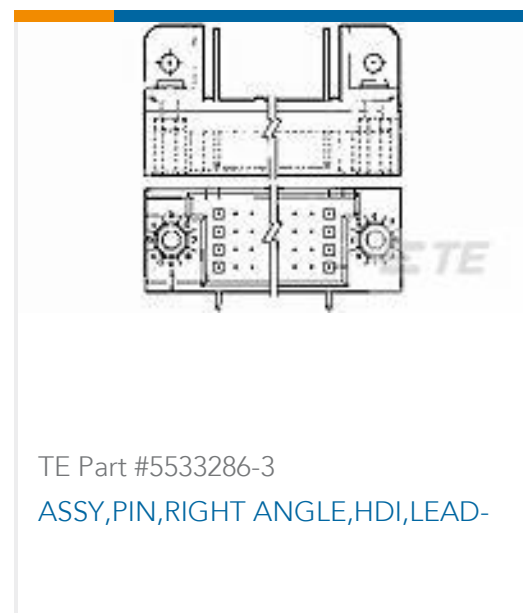


Rack & Panel Connectors(1)



Twisted Pair Cable(6)

Customers Also Bought



Documents

Product Drawings

0603 PROBE PAD

English

CAD Files

3D PDF

3D

Customer View Model

[ENG_CVM_CVM_1625854-3_BA.2d_dxf.zip](#)

English

Customer View Model

[ENG_CVM_CVM_1625854-3_BA.3d_igs.zip](#)

English

Customer View Model

[ENG_CVM_CVM_1625854-3_BA.3d_stp.zip](#)

English

By downloading the CAD file I accept and agree to the [Terms and Conditions](#) of use.

Datasheets & Catalog Pages



[1309350_PASSIVE_COMPONENT](#)

English

[SMD Circuit Probe Pad - Type RC Series - Tyco Electronics Passives](#)

English

[Product Environmental Compliance](#)

[MD_1625854-3_07202017117_dmtec](#)

English

[MD_1625854-3_07202017117_dmtec](#)

English